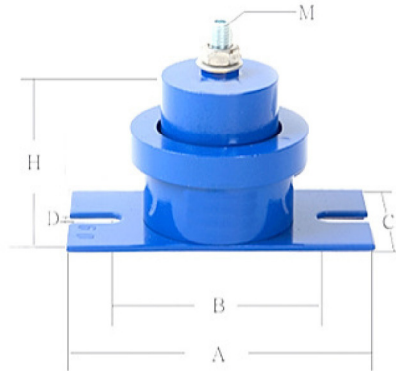


UNHOUSED SPRING MOUNT FLOOR



TECHNICAL DATA

MODEL	LOAD (kg)	(mm)	(kg/mm)	DIMENSIONS (±2mm)					
				A	B	C	D	H	M
BST1-10	10	15	0.7	160	120	80	13	88	12 × 50
BST1-20	20		1.3						
BST1-30	30		2.0						
BST1-40	40		2.7						
BST1-50	50		3.3						
BST1-60	60		4.0						
BST1-80	80		5.3						
BST1-90	90		6.0						
BST1-100	100		6.7						
BST1-120	120		8.0						
BST1-150	150		10.0						
BST1-170	170		11.3						
BST1-180	180		12.0						
BST1-200	200		13.3						
BST1-230	230		15.3						
BST1-250	250		16.7						

THAICHI INTERNATIONAL., JSC

No. 22, Group 4, Cau Dien Ward, Nam Tu Liem District, Ha Noi, Viet Nam.

TEL: 0243 76 333 88 - Fax: 0243 76 33 183

E-mail: thaichi@thaichi.vn - www.thaichimarket.com